

FAN CATALOGUE 2021

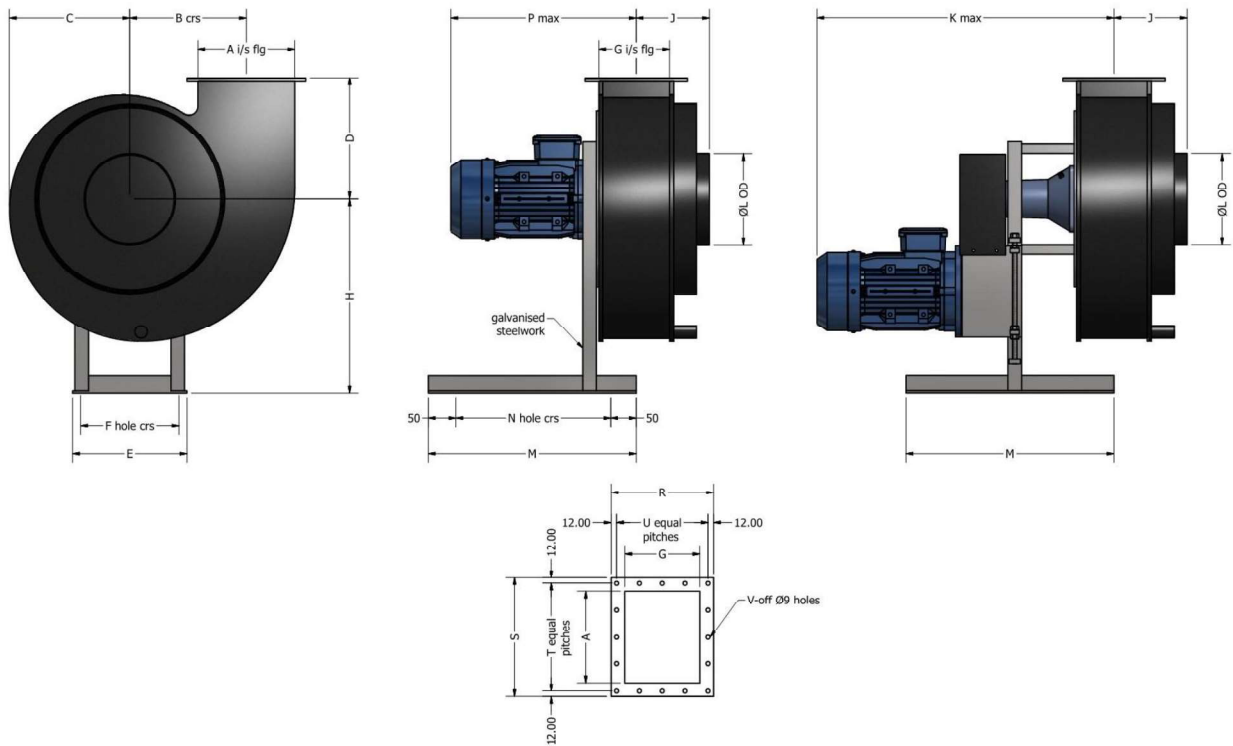
Central Fans – Colasit Ltd

BI Fan Range – BI125G-BI250N

The BI range is fitted with an 11 bladed Backward Inclined impeller giving a fan with a low volume, medium pressure capability at low costs, the impellers are CNC machined from Heat Stabilized Polypropylene and balanced to ISO1940/1 - G6.3.

Fan casings are also CNC machined either from Black Polypropylene or PVC, GRP reinforcement is available as an extra, as with all our fans the steelworks are galvanised as standard and we only use stainless steel fixings.

Duty ranges from 100m³/hr - 3,800m³/hr with pressures up to 2900Pa and are available in either direct, v-belt or inverter drive versions.



Fan Size	A	B	C	D	E	F	G	H	J	K	L	M	N	P	R	S	T	U	V
BI125G	125	165	172	180	210	178	104	325	110	540	125	400	300	320	164	185	3	2	10
BI160G	160	206	213	210	225	178	130	350	125	550	160	400	300	330	190	220	4	3	14
BI200G	200	255	260	265	250	218	164	425	160	650	200	450	350	430	224	260	4	4	16
BI250N	250	316	320	320	400	356	206	525	200	670	250	600	500	450	266	310	5	4	18

