

# FAN CATALOGUE 2021

Central Fans – Colasit Ltd

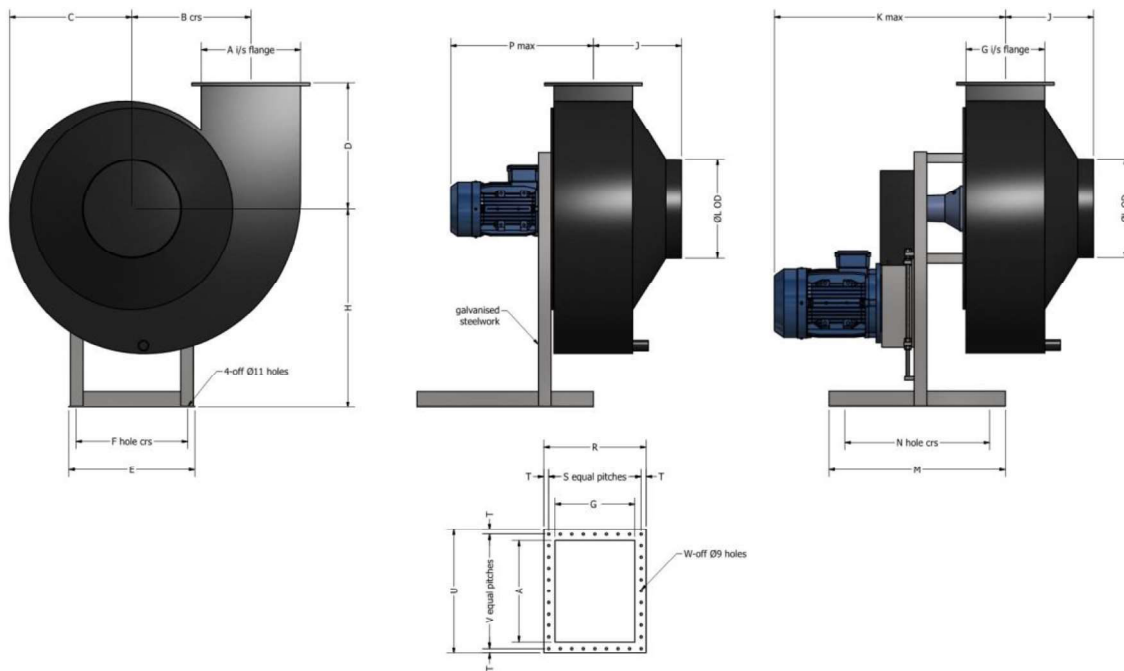
## BCV Fan Range – BCV125-BCV500

The BCV range is fitted with a 6 bladed Backward Curve impeller giving efficiencies of up to 80%, these impellers are CNC machined from Heat Stabilized Polypropylene and balanced to ISO1940/1 - G6.3.

Fan casings are also CNC machined either from Black Polypropylene or PVC, GRP reinforcement is available as an extra.

As with all our fans the steelworks are galvanised as standard and we only use stainless steel fixings.

Duty ranges from 100m<sup>3</sup>/hr - 15,000m<sup>3</sup>/hr with pressures up to 2500Pa and are available in either direct, v-belt or inverter drive versions.



Fan Size	A	B	C	D	E	F	G	H	J	K	L	M	N	P	R	S	T	U	V	W
BCV160	160	192	197	200	250	218	125	355	140	520	160	355	305	310	220	3	12	185	3	12
BCV180	180	216	222	225	280	248	140	400	160	570	180	355	305	360	240	4	12	200	3	14
BCV200	200	240	246	250	280	248	160	400	180	625	200	400	300	415	260	4	12	220	4	16
BCV225	225	270	277	280	315	271	180	450	200	655	225	450	350	445	285	5	12	240	4	18
BCV250	250	300	308	315	355	311	200	500	225	680	250	500	400	470	310	5	12	260	4	18
BCV280	280	336	345	355	400	356	225	560	250	695	280	500	400	485	340	6	12	295	5	22
BCV315	315	378	388	400	400	356	250	630	280	715	315	560	460	505	375	7	12	310	6	26
BCV355	355	426	437	450	500	456	280	710	315	785	355	630	530	575	435	7	12	360	6	26
BCV400	400	480	493	500	500	456	315	800	355	740	400	630	530	530	480	8	16	395	7	30
BCV500	500	596	623	630	700	636	400	1000	450	800	500	900	800	590	600	10	22	500	9	36

