

FAN CATALOGUE 2021

Central Fans – Colasit Ltd

Bifurcated Fan Range – Ø200mm-Ø900mm

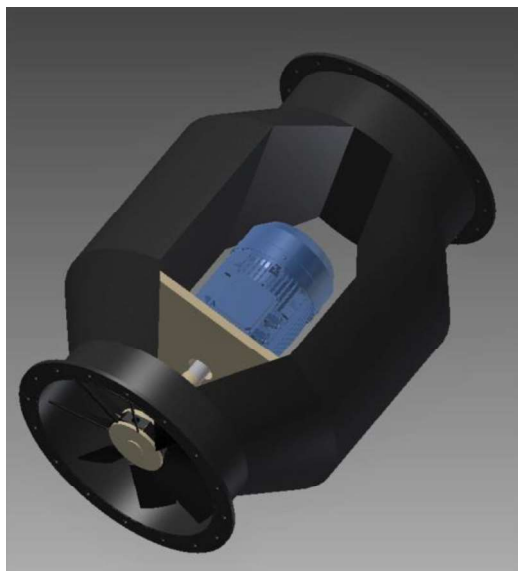
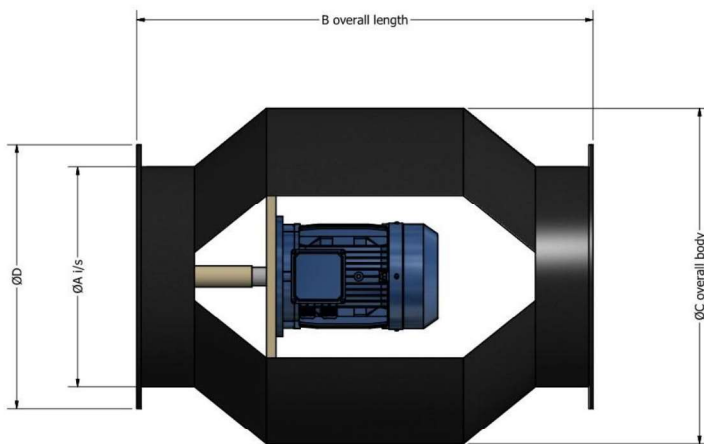
The Bifurcated fan range is an axial flow type fan with the motor out of the airstream, these fans are fitted with a precision moulded impeller from PPG (Glass reinforced Polypropylene) or PAG (Glass Reinforced Polymid) The blades are of aerofoil section giving Non-overloading power characteristics.

All Bifurcated fans are fitted with flanged ends to facilitate ease of installation into ducting systems and can be mounted either vertically or horizontally, the latter having a drain point.

All fans are CNC machined from Black Embossed Polypropylene but are also available in UPVC.

A full range of extras are available including mounting feet, matching flanges, flexibles & AV mounts.

Duty Range: - 0.09m³/s - 8.0m³/s with pressures up to 750Pa



Fan Size	A	B	C	D	E	F	G
200	200	600	380	275	240	8	9
250	250	600	400	325	290	8	9
315	315	650	480	400	360	12	9
355	355	800	560	450	405	16	9
400	400	800	620	500	455	16	11
450	450	950	700	550	505	16	11
500	500	1100	780	600	555	16	11
560	560	1200	820	660	615	20	11
630	630	1250	890	700	655	20	11
710	710	1450	1000	810	765	24	11

Larger sizes are available upon request
 All sizes can be GRP reinforced if required
 All motors TEFC IP55 as standard

All our Bifurcated fans are fitted with Impellers