

FAN CATALOGUE 2021

Central Fans – Colasit Ltd

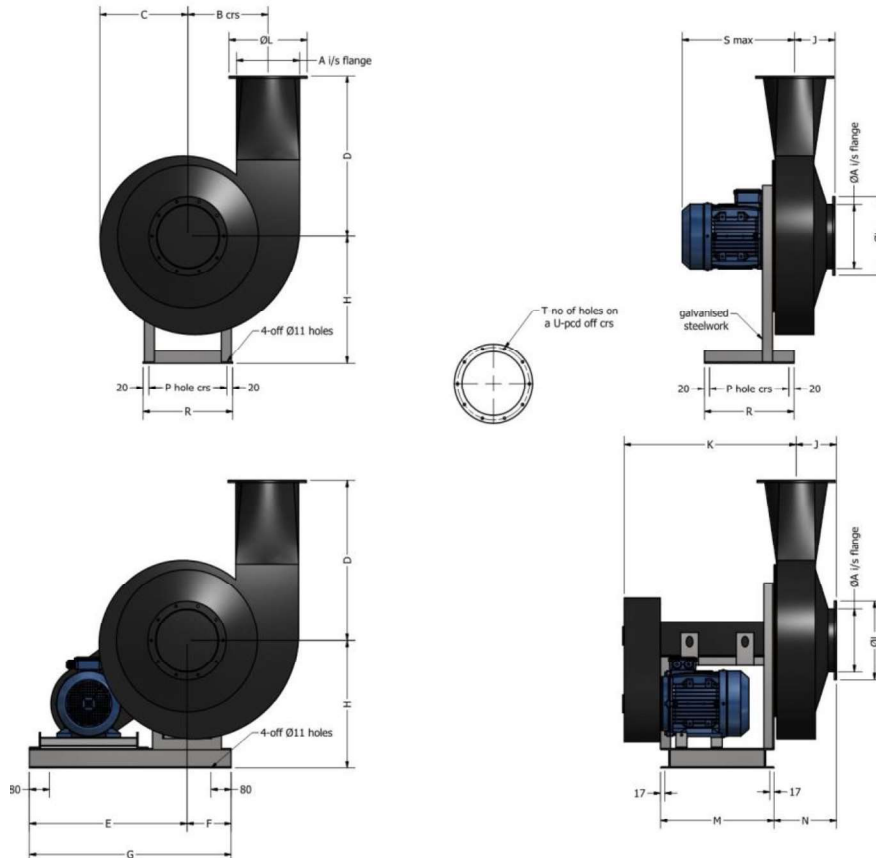
CHVS Fan Range – CHVS63-CHVS250

The CHVS range of fan units are fitted with a 12 bladed Backward Curve impeller giving efficiencies of up to 80%.

These fans are specifically designed to operate in systems with high pressure losses, such as gas scrubbing and Bio Filters, the impellers are CNC machined from Heat Stabilized Polypropylene and balanced to ISO1940/1 - G6.3.

Fan casings are also CNC machined either from Black Polypropylene or PVC, GRP reinforcement is available as an extra, as with all our fans the steelworks are galvanised as standard and we only use stainless steel fixings.

Duty ranges from 50m³/hr - 4,200m³/hr with pressures up to 7000Pa and are available in either direct, v-belt or inverter drive versions.



Fan Size	A	B	C	D	E	F	G	H	J	K	L	M	N	P	R	S	T	U
CHVS63	63	275	300	355	625	175	800	500	160	593	120	450	223	315	355	300	6	95
CHVS90	90	281	308	400	625	175	800	500	160	596	150	450	226	315	355	430	6	125
CHVS125	125	289	318	450	625	175	800	500	160	600	185	450	230	315	355	430	6	160
CHVS160	160	298	329	500	625	175	800	500	160	604	220	450	234	315	355	448	8	195
CHVS200	200	307	342	560	625	175	800	500	160	608	260	450	238	315	355	452	10	235
CHVS250	250	318	352	630	625	175	800	500	160	609	310	450	241	315	355	572	10	285

