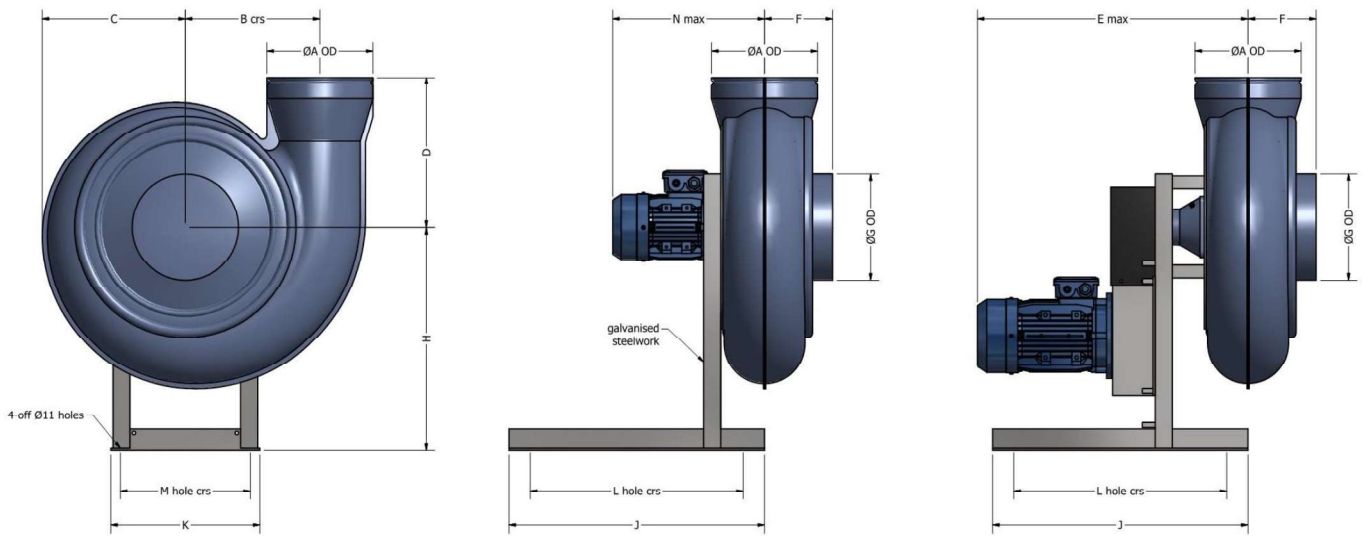


CMVeco125-CMVeco400 Fan Range

The CMV fan range has now been further improved and re-named CMVeco, the casings have been re-designed and as a result the fan efficiencies have increased helping to lower running costs. All units are fitted with an advanced 20 bladed Radial Tipped impeller giving excellent flow characteristics, all impellers within this range (CMVeco125-400) are available from either Injection moulded Fire retardant Polypropylene, Anti-Static Fire Retardant Polypropylene and PVDF, all impellers in this range are balanced to ISO1940/1 - G2.5.

Duty ranges from 50m³/hr - 14,000m³/hr with pressures up to 2700Pa and are available either in direct, v-belt or inverter drive versions.



Fan Size	A	B	C	D	E	F	G	H	J	K	L	M	N
CMVeco125	125	164	188	200	487	110	125	300	400	210	350	178	267
CMVeco160	160	206	286	225	498	120	160	350	400	225	350	193	278
CMVeco200/180	200	255	255	275	579	140	200	425	450	250	350	218	359
CMVeco200	200	255	255	275	579	140	200	425	450	250	350	218	359
CMVeco250/225	250	316	336	330	699	160	250	525	600	350	500	306	479
CMVeco250	250	316	336	330	699	160	250	525	600	350	500	306	479
CMVeco315/280	315	396	415	400	849	190	315	625	600	400	500	356	442
CMVeco315	315	396	415	400	849	190	315	625	600	400	500	356	442
CMVeco400	400	441	452	425	902	220	400	750	650	450	550	386	538

